

Spare part list

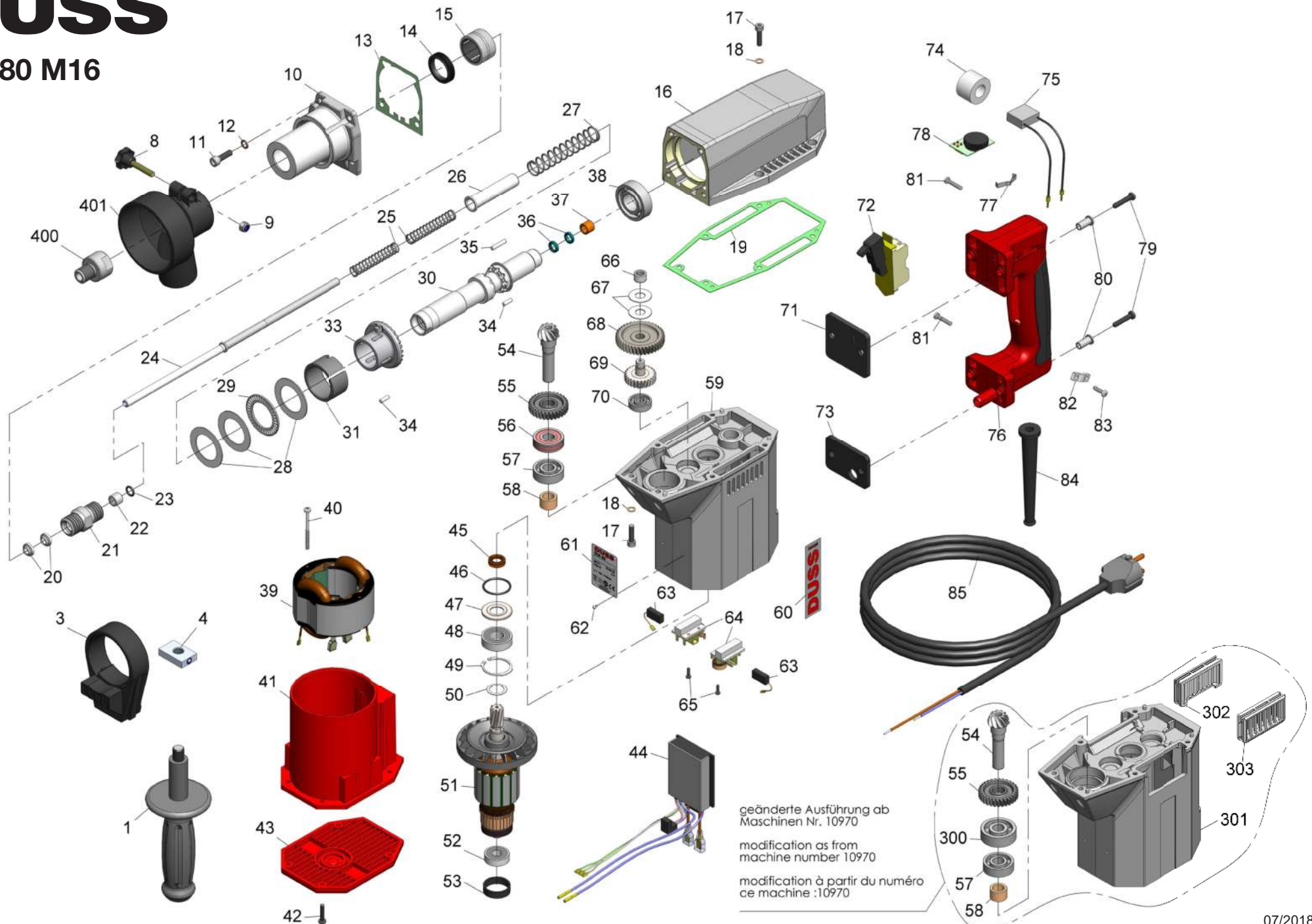
DIA 80 M16 diamond core drill

DUSS

Description	Order-No.	Quantity	Description	Order-No.	Quantity
Side handle	DIA80-1	1	Ball bearing	DIA80-56	1
Clamping collar with jaw	DIA80-3	1	Ball bearing	DIA80-57	1
Nut M12	DIA80-4	1	Sleeve bearing	DIA80-58	1
Star knob	DIA80-8	1	DUSS sticker	DIA80-60	2
Hexagon nut M6	DIA80-9	1	Nameplate DIA 80 M16	DIA80-61	1
Front cover	DIA80-10	1	Grooved pin	DIA80-62	4
Cheese head screw M6x20	DIA80-11	4	Carbon brush	DIA80-63	2
Copper washer M6	DIA80-12	4	Brush holder	DIA80-64	2
Gasket	DIA80-13	1	Lens head screw 3x10	DIA80-65	4
Dust seal	DIA80-14	1	Needle bush	DIA80-66	1
Roller bearing	DIA80-15	1	Washer	DIA80-67	2
Cylinder housing	DIA80-16	1	Layshaft gear	DIA80-68	1
Cheese head screw M5x20	DIA80-17	6	Pinion	DIA80-69	1
Copper washer M5	DIA80-18	6	Ball bearing	DIA80-70	1
Gasket	DIA80-19	1	Damper cylinder housing	DIA80-71	1
Spare Part	DIA80-20	2	Damper motor housing	DIA80-73	1
Threaded nipple	DIA80-21	1	Switch	DIA80-72	1
Needle bush	DIA80-22	1	Foam rubber	DIA80-74	1
O-ring seal 8x2	DIA80-23	1	Capacitor	DIA80-75	1
Spare Part	DIA80-24	1	Switch handle	DIA80-76	1
Spring	DIA80-25	2	Spring	DIA80-77	1
Aluminium sleeve	DIA80-26	1	Potentiometer	DIA80-78	1
Spring	DIA80-27	1	Cheese head screw M5x25	DIA80-79	4
Washer	DIA80-28	3	Spacer	DIA80-80	4
Needle thrust bearing	DIA80-29	1	Lens head screw 4x20	DIA80-81	2
Tool bit driver	DIA80-30	1	Cord clamp	DIA80-82	1
Clutch spring	DIA80-31	1	Lens head screw 4x14	DIA80-83	2
Bevel gear	DIA80-33	1	Cord sleeve	DIA80-84	1
Roller 4x11,8	DIA80-34	14	Cord and plug	DIA80-85	1
Roller 4x19,8	DIA80-35	10	Ball bearing	DIA80-300	1
Sealing ring	DIA80-36	2	Motor housing	DIA80-301	1
Sleeve bearing	DIA80-37	1	Ventilation insert, right	DIA80-302	1
Ball bearing	DIA80-38	1	Ventilation insert, left	DIA80-303	1
Field, 230V	DIA80-39	1	Adapter	DIA80-400	1
Lens head screw 4x48	DIA80-40	2	Suction head	DIA80-401	1
Insulating housing	DIA80-41	1			
Lens head screw M4x20	DIA80-42	4			
Motor cover	DIA80-43	1			
Electronics ass'y	DIA80-44	1			
V-ring seal	DIA80-45	1			
O-ring seal 26x2	DIA80-46	1			
Plain washer	DIA80-47	1			
Ball bearing	DIA80-48	1			
Retaining ring	DIA80-49	1			
Washer	DIA80-50	1			
Armature, 230V	DIA80-51	1			
Ball bearing	DIA80-52	1			
Rubber sleeve	DIA80-53	1			
Bevel gear pinion	DIA80-54	1			
Gear wheel	DIA80-55	1			

DUSS

DIA 80 M16



geänderte Ausführung ab
Maschinen Nr. 10970
modification as from
machine number 10970
modification à partir du numéro
de machine :10970